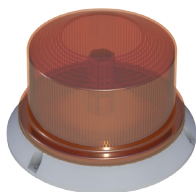
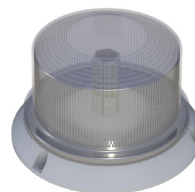


Specifications for Beacon Strobe Lights

Strobe Lights Amber Lens



Strobe Lights Clear Lens



Part Code	Description	Lens Colour	Light Colour	Voltage Range	Type
0104-00001	Strobe-Beacon Amber-Plastic-24LED-Amber Lens 12-72V	Amber	Amber	10-72Vdc	Single Colour / 2 Wire
0104-00002	Strobe-Beacon Red-Plastic-24 LED Clear Lens 12-72V	Clear	Amber	10-72Vdc	Single Colour / 2 Wire
0104-00003	Strobe-Beacon Green-Plastic-24 LED Clear Lens 12-72V	Clear	Green	10-72Vdc	Single Colour / 2 Wire
0104-00004	Strobe-Beacon Amber-Plastic-24LED Clear Lens 12-72V	Clear	Red	10-72Vdc	Single Colour / 2 Wire
0104-00005	Strobe-Beacon Dual Colour Amber/Red - 24LED Clear Lens 12-72	Clear	Amber/Red	10-72Vdc	Dual Colour / 3 Wire
0104-00007	Strobe-Beacon Amber-Plastic-24LED-Amber Lens 12-72V Magnetic Base + Vehicle lighter plug	Amber	Amber	10-72Vdc	Single Colour / Curly cord + cigarette connector

Specifications and Application

Light designed for vehicle safety on various vehicles

Applications include:

Trucks, trailers mining equipment, forklifts, mining machines.

Suitable for 12 - 48V systems

Electrical Specifications

Nominal Input Voltage:	12VDC - 72VDC
Max Flash Power	12Watts / Double Flash
Max Flash Current @ 12VDC	1 Amps
Max Flash Current @ 24VDC	1 Amps

Protection

Reverse Polarity	Yes
------------------	-----

Operating conditions

Operating temperature (Ta):	-40°C to +50°C
IP Rating	IP68

Light

Colours available	Red/Amber/White/Green
Light Source	2835 High Power Leds

Construction

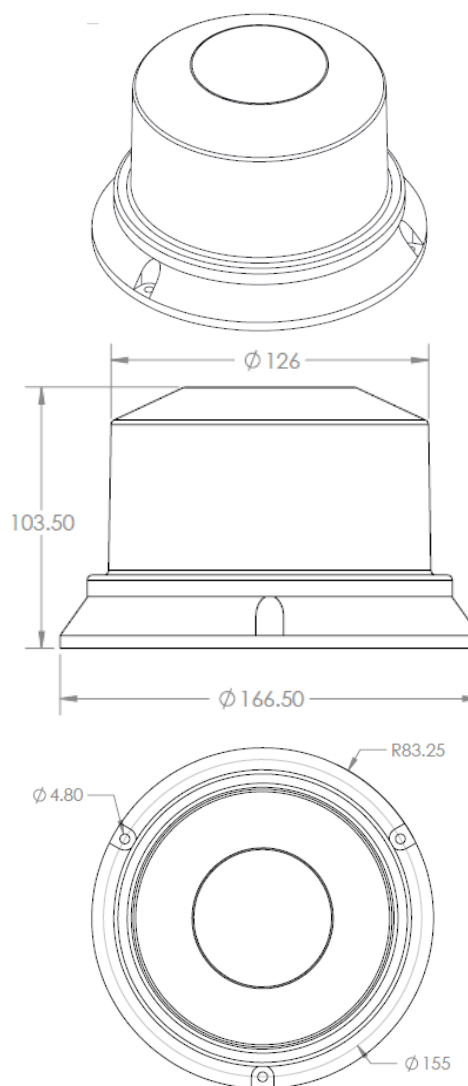
Materials	Polycarbonate
Diameter Base, Diameter Strobe, Height	166mm, 126mm, 103mm
Weight	0.1Kg
Hole Pitch	155mm
Hole Size	4mm

Hazardous Gases

Contains Halides

Warranty

6 months Limited warranty



sales@telec.co.za
www.telec.co.za



+27 11 763 5718
+27 11 763 3296



100 Albertina Sisulu Road
Roodepoort, Johannesburg
South Africa 1724